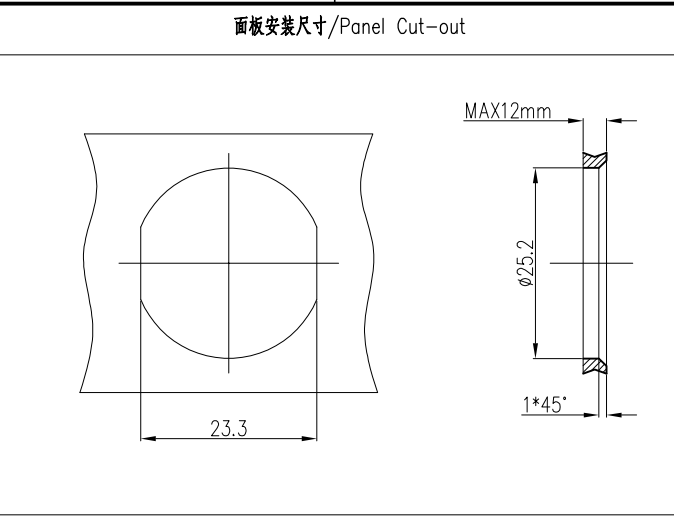
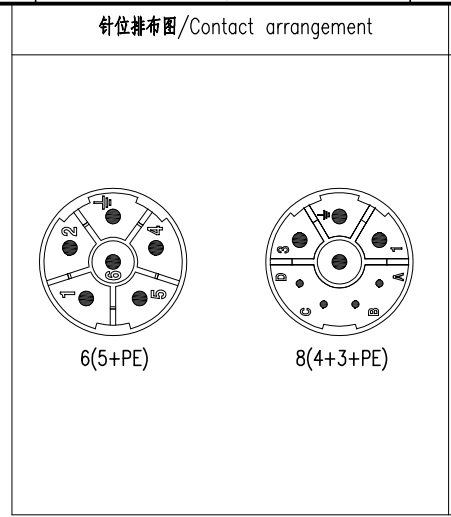


日期/Date	档案员 Filing Clerk	1	2	3	4	5	6
插针数 Contacts	电缆出口直径 Cable outlet	产品料号 Cable outlet	型号 Part Code	重量 Weight			
6(5+PE)	7.5-12 mm	1660067102005	M23-MC06-CCT/R-D12-SH	113 g			
	9.5-14.5 mm	1660067102006	M23-MC06-CCT/R-D14.5-SH	112 g			
	14-17 mm	1660067102002	M23-MC06-CCT/R-D17-SH	109 g			
8(4+3+PE)	7.5-12 mm	1660087102005	M23-MC04/4-CCT/R-D12-SH	112 g			
	9.5-14.5 mm	1660087102006	M23-MC04/4-CCT/R-D14.5-SH	111 g			
	14-17 mm	1660087102004	M23-MC04/4-CCT/R-D17-SH	108 g			

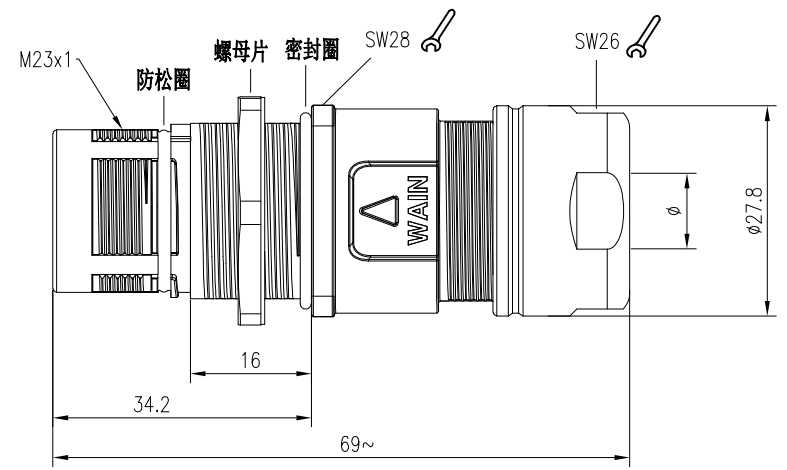
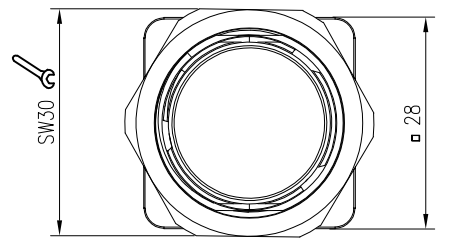


技术参数:  
- 产品系列: M23  
- 插针数:                      6(5+PE)                      8(4+3+PE)  
- 插针分布:                      5+PE                      4                      3+PE  
- 插针直径(mm):                       $\phi 2$                        $\phi 1$                        $\phi 2$   
- 接线范围(mm<sup>2</sup>/AWG):    0.35-4.0/22-12    0.14-1.5/26-16    0.35-4.0/22-12  
- 接线方式: 冷压连接  
- 额定电流(25℃):                      30A                      9A                      30A  
- 额定电压:                      630V                      250V                      630V  
- 额定脉冲电压:                      6KV                      4KV                      6KV  
- 过电压保护等级: III  
- 污染等级: 3  
- 插针需单独订购。

机械参数:  
- 外壳材质: 铜合金, 锌合金  
- 外壳表面处理: 镀镍  
- 插芯材质: 聚酰胺  
- 密封材质: 氟橡胶  
- 温度范围: -40℃...+130℃  
- 电缆直径: 7.5-17mm 屏蔽  
- 插拔次数: >500  
- 防护等级: IP67

Technical specification:  
- Series: M23  
- Number of contacts:                      6(5+PE)                      8(4+3+PE)  
- Contact arrangement:                      5+PE                      4                      3+PE  
- Contact diameter(mm):                       $\phi 2$                        $\phi 1$                        $\phi 2$   
- Wire gauge(mm<sup>2</sup>/AWG):    0.35-4.0/22-12    0.14-1.5/26-16    0.35-4.0/22-12  
- Terminal:Crimp  
- Rated current(25℃):                      30A                      9A                      30A  
- Rated voltage:                      630V                      250V                      630V  
- Rated impulse voltage:                      6KV                      4KV                      6KV  
- Overvoltage category: III  
- Pollution degree: 3

Mechanical specification:  
- Material of housing: CuZn,Zinc(GD-Zn)  
- Finish of housing:Nickel-plated  
- Material of Insert:Polyamide  
- Material of sealing:FPM  
- Temperature range: -40℃...+130℃  
- Cable Outlet: 7.5-17mm Shielded  
- Mating cycles: >500  
- Degree of protection: IP67  
- Contact need to be ordered separately.



				表面处理 Finish	-				图号 Drawing No.	-
				材料 Material	-				产品代号 Part Code	M23-MCxx-CCT/R-Dxx-SH
标记 Mark	处数 Number	变更描述/Description		签名 Signature	日期 Date				产品料号 Part No.	-
绘图 Drawn		姓名/Name	日期/Date	姓名/Name	日期/Date	比例 Scale	版本 REV.	重量 Weight	数量 Qty.	产品名称 Part Name
审核 Checked						1:1	V1.1	-	-	-
工艺 Process				批准 Approved		All Dimensions in mm Original Size DIN A 4			厦门唯恩电气有限公司 XIAMEN WAIN ELECTRICAL CO.LTD	